

DETROIT RADIANT

RE-VERBER-RAY

RADIANT GAS HEATERS®

PRODUCTS COMPANY

SERIES



SW SERIES

SHORT WAVE ELECTRIC INFRARED HEATERS

SW Series heaters are unique in their ability to produce both infrared heat and visible light energy. The source of this energy comes from short wave electric lamps encased in an aesthetically pleasing enclosure. Available in an assortment of sizes, casing and colors, this heater offers both choices and solutions for your application. Operational benefits include a highly efficient energy transfer, lower mounting heights, heat energy, light energy, and certification for both indoor or outdoor use.

ELECTRIC INFRARED

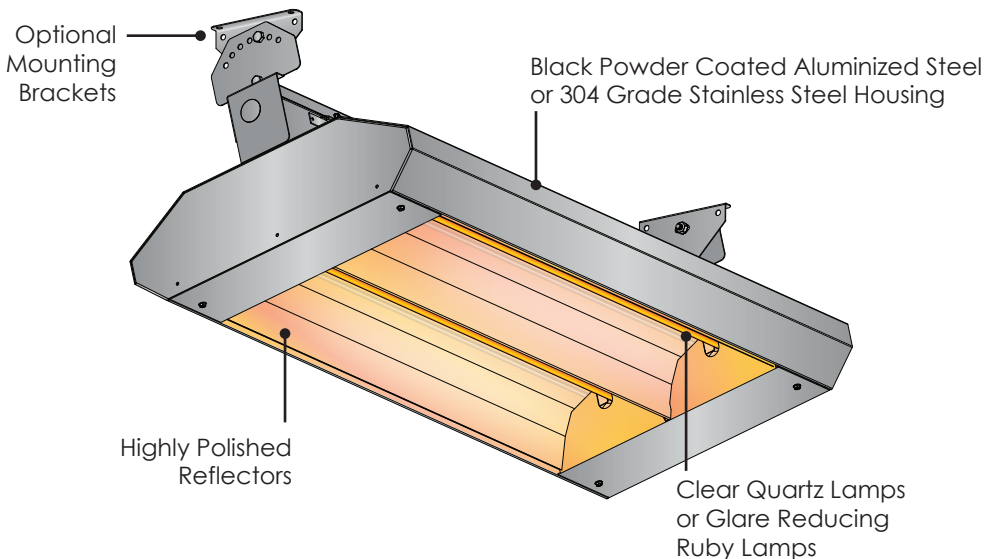


TYPICAL APPLICATIONS

The SW Series electric heater is ideal for a multitude of applications providing spot, total, or comfort heat with visible light.

- Restaurant Patios
- Parking Garages
- Valet Waiting Areas
- Airport Entrances
- Hospital Entrances
- Vestibules
- Smoking Areas
- Outdoor Waiting Areas
- And more!

PRODUCT FEATURES



- Compact, aesthetically pleasing construction.
- Heater housing available in either black powder coated aluminized steel or brushed 304 grade stainless steel.
- Choose either clear quartz lamps or optional glare reducing ruby quartz lamps.
- Single, double or triple construction models.
- From 1,600 to 11,400 watt output.
- ETL Certified for indoor or outdoor use.

DETROIT RADIANT PRODUCTS CO.

21400 Hoover Rd.
Warren, MI 48089-3162

Phone: (586) 756-0950
Toll Free: 1-800-222-1100
Fax: (586) 756-2626
Email: sales@drp-co.com
Website: www.reverberray.com

VISIT OUR WEBSITE FOR:

- Product Specs
- Parts Support
- Dealer Locator
- Applications
- C.A.D. Library
- Design Guidelines
- Theory of Infrared
- and More!

PRODUCT SPECIFICATIONS

Electrical Consumption:	From 1,600 to 11,400 Watts
Equivalent BTU:	5,459 to 38,898 total BTU/h
Voltage:	From 120 to 575 VAC; 1Ph or 3Ph
Certification:	ETL Listed
Limited Warranty:	Lamps 90-Days; Components 1-Year
Lamp Elements:	White or Ruby Glare Reduction
Outdoor Approval:	Standard

HEATER CONSTRUCTION

- Black powder-coat aluminized steel housing.
- Optional stainless steel housing for added durability and corrosion resistance.

LAMP ELEMENTS

- Coiled tungsten filament within a sealed quartz tube.
- Porcelain end caps.
- Instantaneous heat-up & cool-down.
- Clear quartz or optional glare reduction ruby quartz.

MOUNTING

- 0° to 45° adjustable brackets.

REFLECTORS

- Highly polished aluminum.
- Wide, symmetrical design.

APPROVALS

- ETL Listed for indoor and outdoor applications.
- Commercial/Industrial Approval.
- CSA 22.2 #46 - M1988.
- UL 2021, 1997.

AVAILABLE SW MODELS

MODEL NUMBER*		LAMP QTY.	LAMP TYPE* (Select One)	VOLTS	WATTS	BTU/H	AMPS	OVERALL UNIT LENGTH	SHIP WEIGHT (LBS.)	RECOMMENDED MOUNTING HEIGHTS**	DIMENSIONS		
BLACK POWDER COAT HOUSING	STAINLESS STEEL HOUSING										H	L	W
SW-24B1-A16#	SW-24S1-A16#	1	Clear or Ruby	120	1,600	5,459	13.3	24 in.	11.0	8' to 10'	10.75"	24.00"	9.25"
SW-24B1-B16#	SW-24S1-B16#		Clear or Ruby	208			7.69			8' to 10'	10.75"	24.00"	9.25"
SW-24B1-C16#	SW-24S1-C16#		Clear or Ruby	240			6.67			8' to 10'	10.75"	24.00"	9.25"
SW-24B1-G16#	SW-24S1-G16#		Clear or Ruby	480			3.33			8' to 10'	10.75"	24.00"	9.25"
SW-33B1-B25#	SW-33S1-B25#	1	Clear or Ruby	208	2,500	8,530	12.02	33 in.	14.0	8' to 10'	10.75"	33.00"	9.25"
SW-33B1-C25#	SW-33S1-C25#		Clear or Ruby	240			10.42			8' to 10'	10.75"	33.00"	9.25"
SW-33B1-G25#	SW-33S1-G25#		Clear or Ruby	480			5.21			8' to 10'	10.75"	33.00"	9.25"
SW-46B1-G36#	SW-46S1-G36#	1	Clear or Ruby	480	3,650	12,454	7.60	46 in.	18.0	10' to 12'	10.75"	46.00"	9.25"
SW-46B1-H38#	SW-46S1-H38#		Clear or Ruby	575	3,800	12,966	6.61			10' to 12'	10.75"	46.00"	9.25"
SW-24B2-B16#	SW-24S2-B16#	2	Clear or Ruby	208	3,200	10,919	15.38	24 in.	16.0	8' to 10'	10.75"	24.00"	15.00"
SW-24B2-C16#	SW-24S2-C16#		Clear or Ruby	240			13.33			8' to 10'	10.75"	24.00"	15.00"
SW-24B2-G16#	SW-24S2-G16#		Clear or Ruby	480			6.67			8' to 10'	10.75"	24.00"	15.00"
SW-33B2-B25#	SW-33S2-B25#	2	Clear or Ruby	208	5,000	17,061	24.04	33 in.	21.0	10' to 12'	10.75"	33.00"	15.00"
SW-33B2-C25#	SW-33S2-C25#		Clear or Ruby	240			20.83			10' to 12'	10.75"	33.00"	15.00"
SW-33B2-G25#	SW-33S2-G25#		Clear or Ruby	480			10.42			10' to 12'	10.75"	33.00"	15.00"
SW-33B2-G36#	SW-46S2-G36#		Clear or Ruby	480			7,300			24,909	15.21	10' to 12'	10.75"
SW-46B2-H38#	SW-46S2-H38#	1	Clear or Ruby	575	7,600	25,932	13.22	46 in.	25.0	12' to 14'	10.75"	46.00"	15.00"
SW-24B3-B16#	SW-24S3-B16#	3	Clear or Ruby	208	4,800	16,378	23.08	24 in.	20.0	10' to 12'	10.75"	24.00"	20.75"
SW-24B3-C16#	SW-24S3-C16#		Clear or Ruby	240			20.00			10' to 12'	10.75"	24.00"	20.75"
SW-24B3-G16#	SW-24S3-G16#		Clear or Ruby	480			10.00			10' to 12'	10.75"	24.00"	20.75"
SW-33B3-G25#	SW-33S3-G25#		Clear or Ruby	480	7,500	24,909	15.63	33 in.	25.0	10' to 12'	10.75"	33.00"	20.75"
SW-46B3-G36#	SW-46S3-G36#		Clear or Ruby	480	10,950	37,636	22.81	46 in.	32.0	12' to 14'	10.75"	46.00"	20.75"
SW-46B3-H38#	SW-46S3-H38#		Clear or Ruby	575	11,400	38,898	19.83			12' to 14'	10.75"	46.00"	20.75"

* # Specify Lamp Type - [W] Clear or [R] Ruby.

** Mounting heights are recommended and provided as a guideline only. Actual conditions, such as outdoor or spot heating, may dictate variations from the above data.

Always maintain the published clearances to combustibles as labeled on the heater. Place signs where necessary in accordance with ANSI/NFPA Standards.

DISTRIBUTED BY:



Intertek